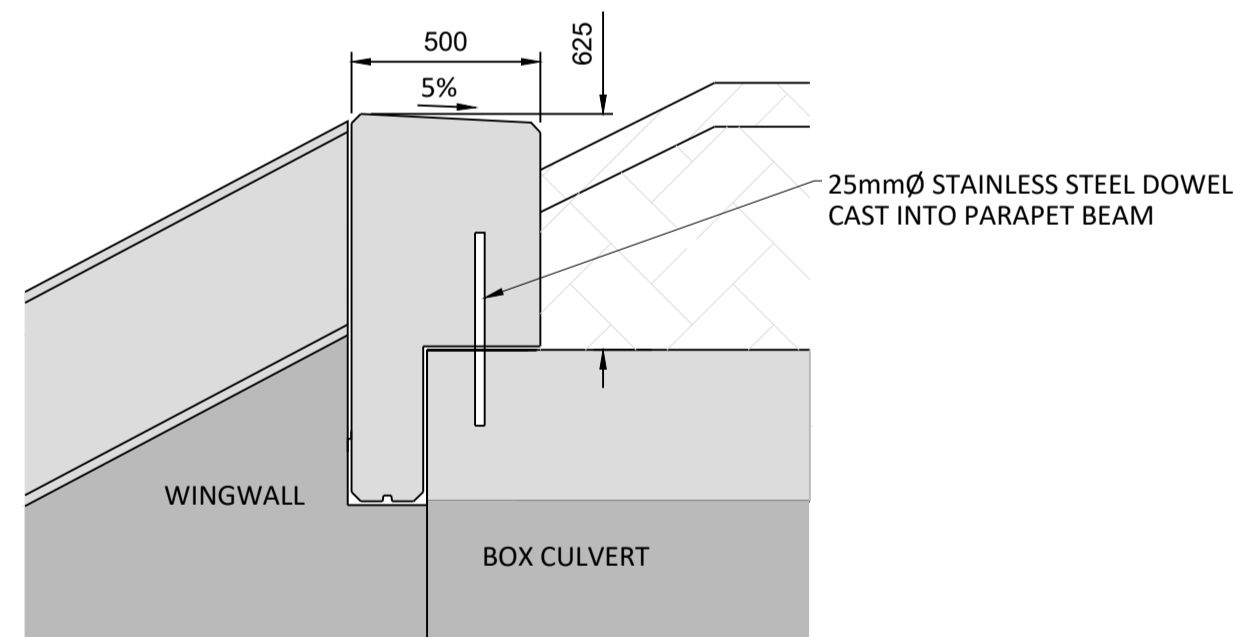


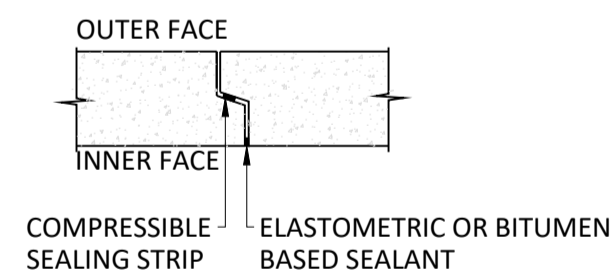
BOX CULVERT LONG-SECTION

Scale 1:25



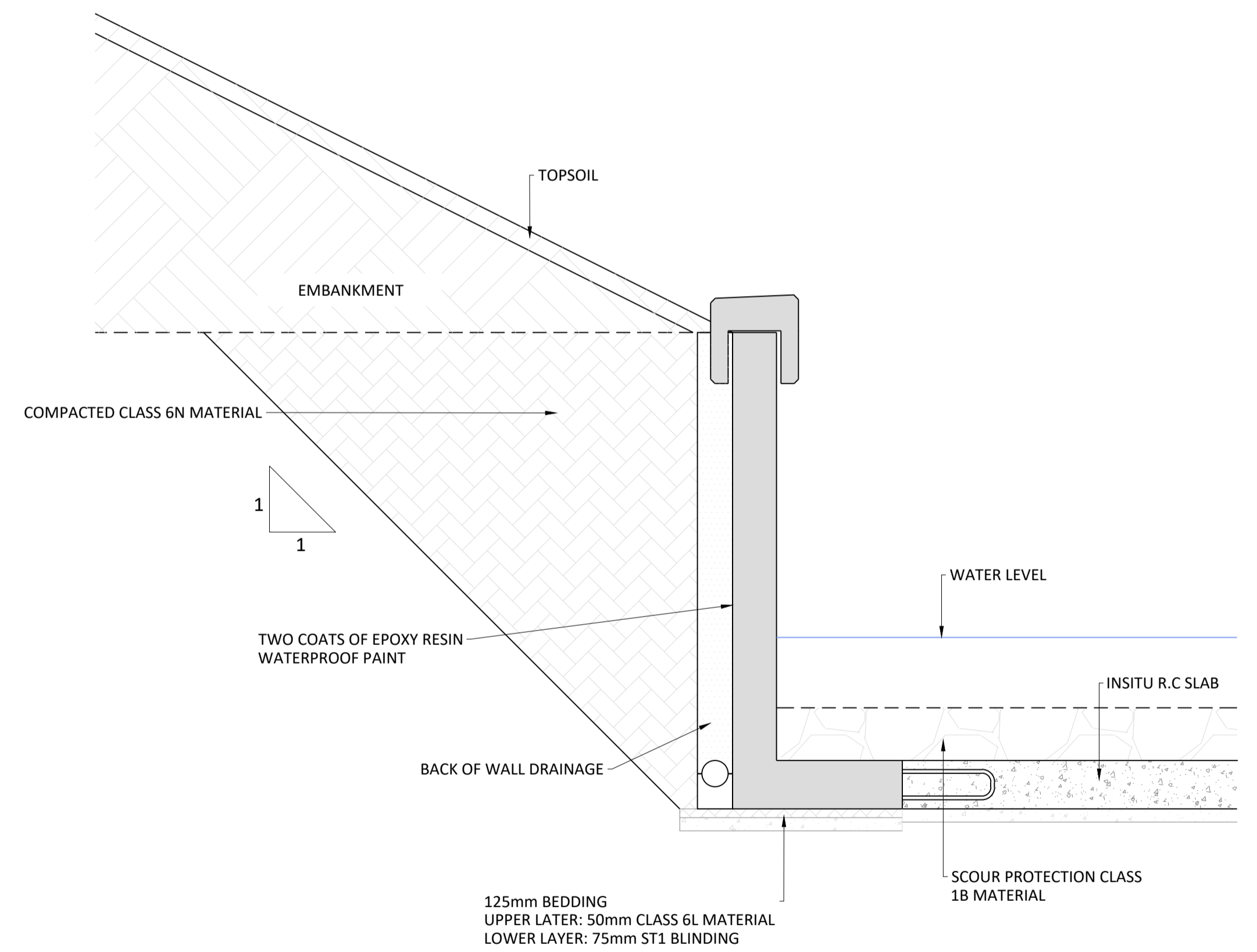
BOX CULVERT LONG-SECTION

Scale 1:20



BOX CULVERT LONG-SECTION

Scale 1:20



BOX CULVERT LONG-SECTION

Scale 1:25

If Applicable : Ordnance Survey Ireland Licence No. CYAL50221678 © Ordnance Survey Ireland and Government of Ireland

Rev.	Description	App By	Date
A	ISSUE FOR PLANNING	RM	10.10.23

PROJECT	CLIENT		
COUMNAGAPPUL WINDFARM EIAR	EMPOWER		
SHEET PROPOSED WATERCOURSE CROSSING - OPEN BOTTOM CULVERT DETAILS	Date	10.10.23	Project number
	Drawn by	NS	Drawing Number
	Checked by	RM	P2360-0300-0019
	Scale (@ A1-)	As Shown	Rev
			A